

**Receiver**
**From**

 Society  
 Reference  
 Address  
 Phone  
 Fax  
 E-mail

**Item n° :**

102160062

**Model :**

JET 151 M

**Pump data**

 Pressure rating : 8 bar (800 kPa)  
 Min. fluid temperature : 0 °C  
 Max. fluid temperature : 35 °C  
 Max. Temperature operating : 40 °C

**Priming capacity :**

H m	2	3	4	5	6	7	8
Q m³/h	4.2	3.72	3.36	3	2.46	1.98	1.5

**Requested data**

 Flow : 0.00 m³/h  
 Head : 0.00 m  
 Fluid : Water, pure  
 Fluid Temperature : 20 °C  
 Density : 998.3 kg/m³  
 Kinematic viscosity : 1.005 mm²/s  
 Vapor pressure : 100.00 kPa

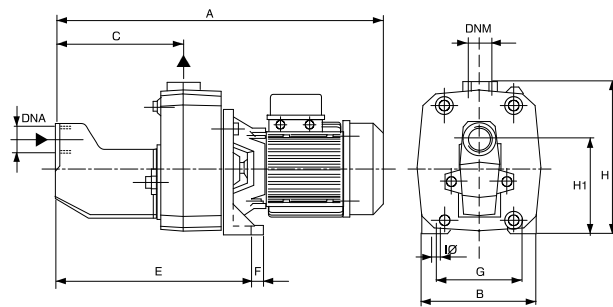
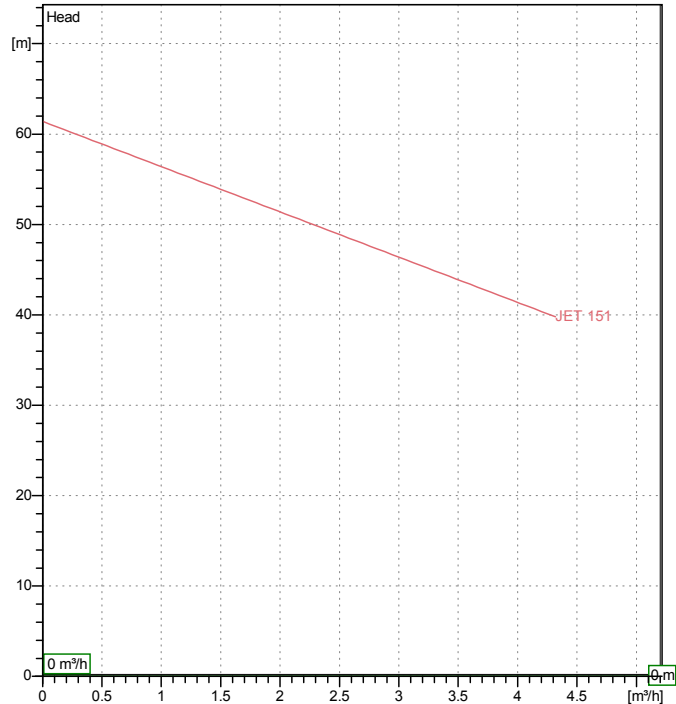
**Hydraulic data (duty point)**

Flow :

Head :

**Materials**

Pump body	Cast iron 200 UNI ISO 185
Support	Cast iron 200 UNI ISO 185
Impeller	Technopoly mer A
Mechanical seal	Carbon/Ceramic
OR ring	NBR Rubber
Shaft with rotor	AISI 416 X12 CrS 13 UNI 6900/71
Diffuser	Technopoly mer A

**Curve tolerance according to ISO 9906**

**Motor data**

 Motor brand : DAB  
 Nominal power P2: 1.1 kW  
 Rated speed : 2800 rpm  
 Rated voltage : 1~ 220-240 V 50 Hz  
 Nominal current : 7.2 A  
 Degree of protection : IP 44

**Dimensions in**
**mm**

A	558	DNM	1" G	H	255		
B	210	E	350	H1	158		
C	221	F	20	IO	11		
DNA	1"1/4 G	G	145				

**Weight :** 31 kg

**Pump connection**

 Suction side 1 " 1/4 G/ 8 bar (800 kPa)  
 Discharge side 1 " G / 8 bar (800 kPa)



WATER • TECHNOLOGY

# PERFORMANCE CURVES

07/12/2014

Page 2 / 3

DAB PUMPS S.p.A.  
Via Marco Polo, 14 - 35035 Mestrino (PD), Italy  
Tel. +39 049 5125000 - Fax +39 049 5125950  
www.dabpumps.com

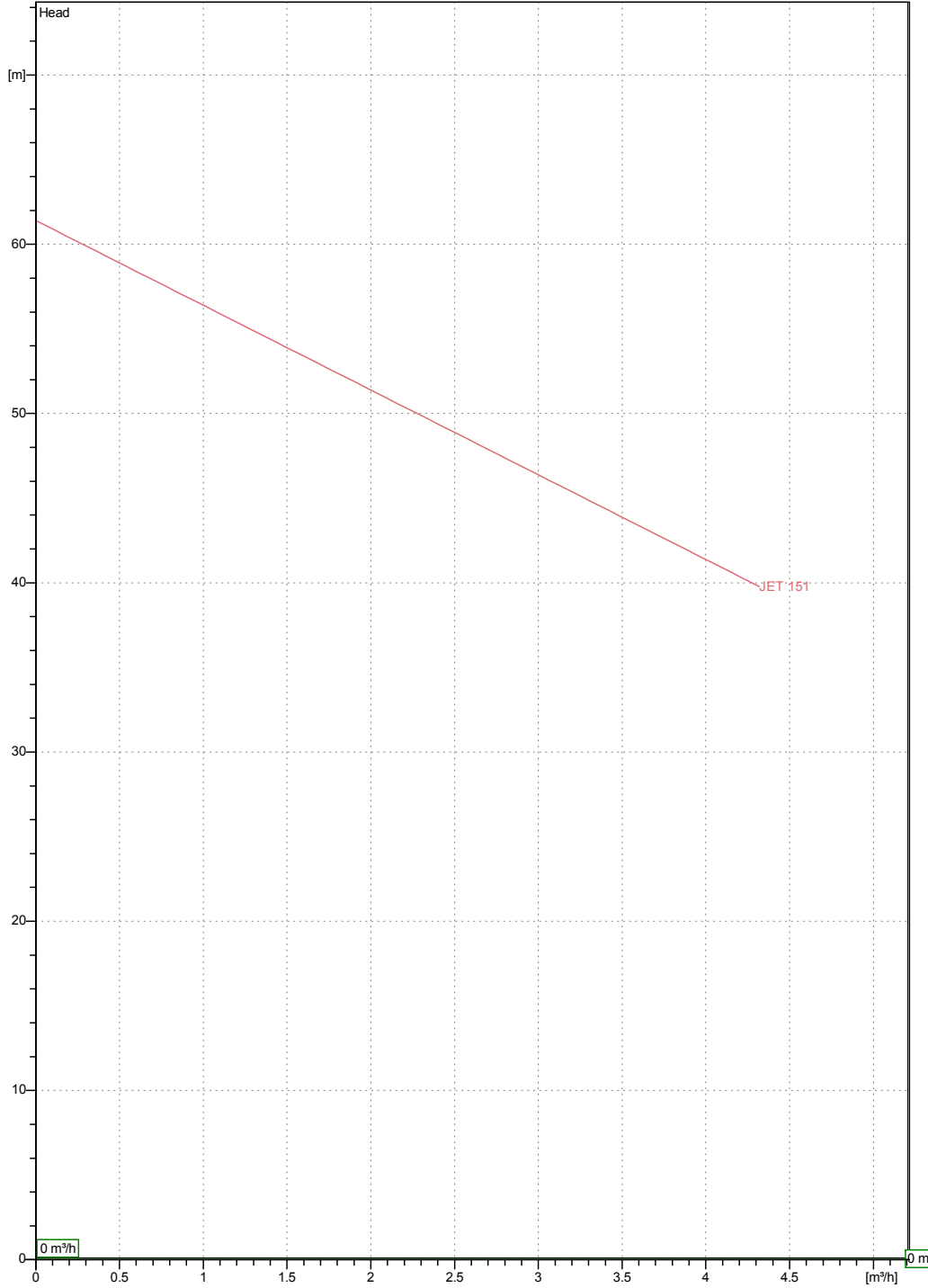
Receiver

From

Society  
Reference  
Address  
Phone  
Fax  
E-mail

## JET 151 M

Curve tolerance according to ISO 9906



Hydraulic data (duty point)

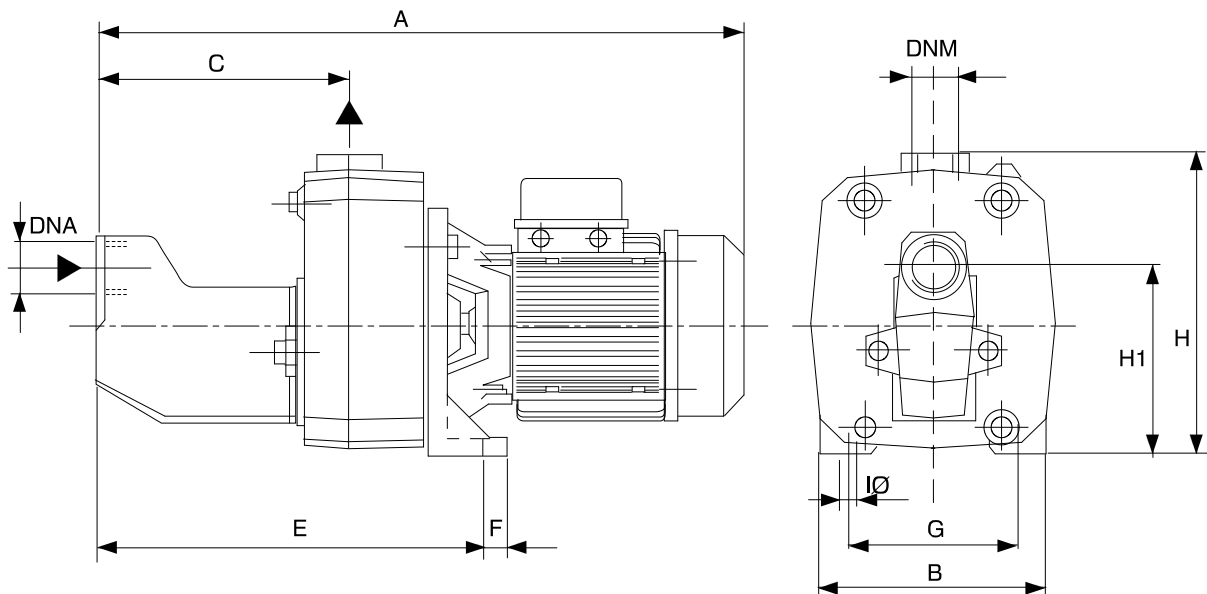
Suction side 1 " 1/4 G 8 bar (800 kPa)	Discharge side 1 " G 8 bar (800 kPa)	Flow : 0 m³/h	Head : 0 m	Rated speed : 2800 rpm
Project	Project ID	Created by	Created on <b>07/12/2014</b>	

Receiver

From

Society  
 Reference  
 Address  
 Phone  
 Fax  
 E-mail

## JET 151 M


**Dimensions in mm**

1	A	558	I O	11		
2	B	210				
3	C	221				
4	DNA	1"1/4 G				
5	DNM	1" G				
6	E	350				
7	F	20				
8	G	145				
9	H	255				
10	H1	158				

**Pump connection**

Suction  
 1 " 1/4 G  
 8 bar (800 kPa)

Discharge  
 1 " G  
 8 bar (800 kPa)

Project

Project ID

Created by

Created on

**07/12/2014**